

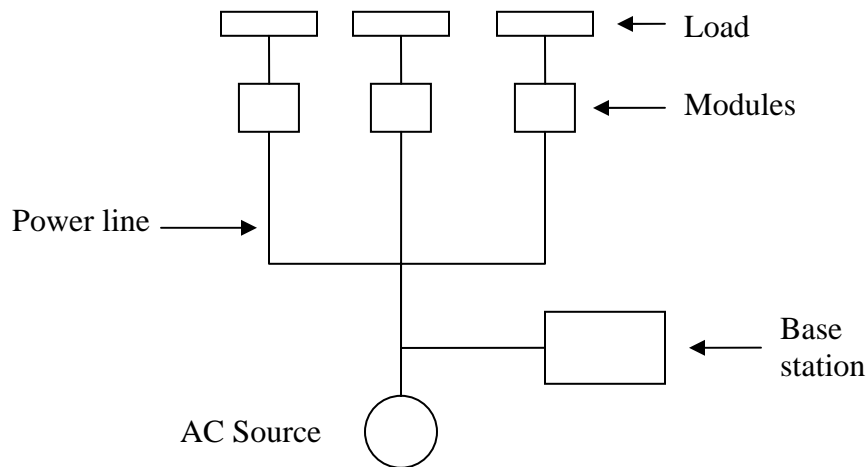
## What do you know about X10 System

By A. Awadhi

X10 System is a technique used to send signals over the power line, it can be used at home to control different equipments using the same power line and without any extra cables.

### How Does It Work?

This system consists of "base station" (Transmitter) and "modules" (Receivers), each module is basically connected to a single load ex. Lamp, Fan ..etc.



The Transmitter will send a signal through the same power line to specific module to turn ON or OFF the load which is attached to it, it can even send a signal to dim a lamp.

But How the transmitter can distinguish between different loads?

Each module has an address and the signal being broadcasted from the transmitter is carrying an address of one of the receivers which we need to control its attached load. All modules will receive the signal but only the module which matches its address with address on the signal will respond.

The Transmitter sends a burst of digital signal synchronized to zero crossing point of AC power in which the AC voltage is zero.

### Where this system is used?

Mostly it is used at home to control appliances remotely, it is ideal for disabled people.

For more informations you can refer to the following website.

[http://wolfstone.halloweenhost.com/TechBase/x10int\\_X10Intro.html](http://wolfstone.halloweenhost.com/TechBase/x10int_X10Intro.html)